

CONTRACT DOCUMENTS, SPECIFICATIONS
AND
CONTRACT DRAWINGS
FOR
TERREBONNE PARISH CONSOLIDATED GOVERNMENT
NORTH PLANT MAIN PUMP REPLACEMENT, A PART OF THE
NWWTP UV DISINFECTION PROJECT
PARISH PROJECT NO. 23-SEW-01

ADDENDUM NO. 2

DATE ISSUED: SEPTEMBER 29, 2025

BID DATE: October 2, 2025 at 2:00 PM
BID LOCATION: TPCG Purchasing Division
City of Houma Service Complex
301 Plant Road
Houma, Louisiana 70363

This addendum shall be part of the Contract Documents as provided in the Instructions to Bidders.

The following items are issued to add to, modify, and clarify the Contract Documents. These items shall have full force and effect as the Contract Documents, and the cost involved shall be included in the bid prices.

This Addendum No. 2 consists of 4 pages including all attachments and this cover sheet.

Plans:

1. Plan Sheet 6 of 7

Reference to New 14" DI spool pieces in the pump discharge piping shall be replaced by 12" DI spool.

Contractor Questions and Answers:

2. Question:

Will the existing knife gates work?

Answer:

The Owner has stated that all of the knife gates are operational. If it is determined that they do not operate sufficiently to complete the work, negotiation to replace the knife gates will occur at that time. The Contractor shall bid the job assuming the valves are operational.

3. Question:

How much do the existing motors and pumps weigh?

Answer:

There is no information available on the weights of the existing equipment as they are approximately 30 to 40 years old. The Contractor should make reasonable assumptions, based on their best judgment regarding the weight of the existing equipment ranging from 40 hp motors to 75hp motors. The actual pumps themselves should be considerably less weight than the motors on the existing pumps. The method of removal of the existing equipment is the Contractor's responsibility and considered Means and Methods.

4. Question:

How much do the new pumps and base elbows weigh?

Answer:

The dimensional drawings of the new pumps are included as Attachment 1 to this Addendum 2. The drawings included the weights of the new pump discharge elbows. The new pumps include cooling jackets.

5. Question:

How deep is the pond?

Answer:

As a clarification, the new pumps are not in the actual pond, they are in a pump station sump with a concrete base. See sheets 6 and 7 of the plans. The concrete base of the sump station is approximately 192" deep from the top slab of the station.

6. Question:

How deep can we lower it?

7. Answer:

The concrete base of the pump station can not be lowered, but the water level can be maintained and a depth of 10'.

8. Question:

Do the partition walls go all the way to the back of the structure?

Answer:

There are no partition walls between pumps. It is one large sump for all four pumps.

9. Question:

How far does the base of the concrete structure go?

Answer:

According to the As-Built drawings of the pump station, the concrete floor extends 29' beyond the back of the top floor of the pump station towards the pond. This indicates ample room for the installation of the new pumps. No work will be required in the actual earthen pond itself.

10. Question:

Where is the existing disconnect that the new pumps will need to be connected to?

Answer:

The existing disconnects are located on the eastern side of the pump station platform. They can be seen on sheet 4 of the plans behind Pump 1. The maximum distance of cabling for the new pumps is 60 feet for the furthest pump, including the downturn to get to the new submersible pumps.

11. Question:

Are the pump rail support brackets also supplied by the owner?

Answer:

No, the pump rail support brackets shall be fabricated by the Contractor based on field conditions to supply a sturdy support for the rail system, and shall be approved by the Engineer. The general geometry of the bracket is shown on the plans but shall be field verified by the Contractor once concrete sawing and actual placement locations are located.

12. Question:

How long are the existing pumps?

Answer:

The cut sheet of the pumps is included as Attachment 1 of this addendum.

13. Question:

Is the whole pond lined?

Answer:

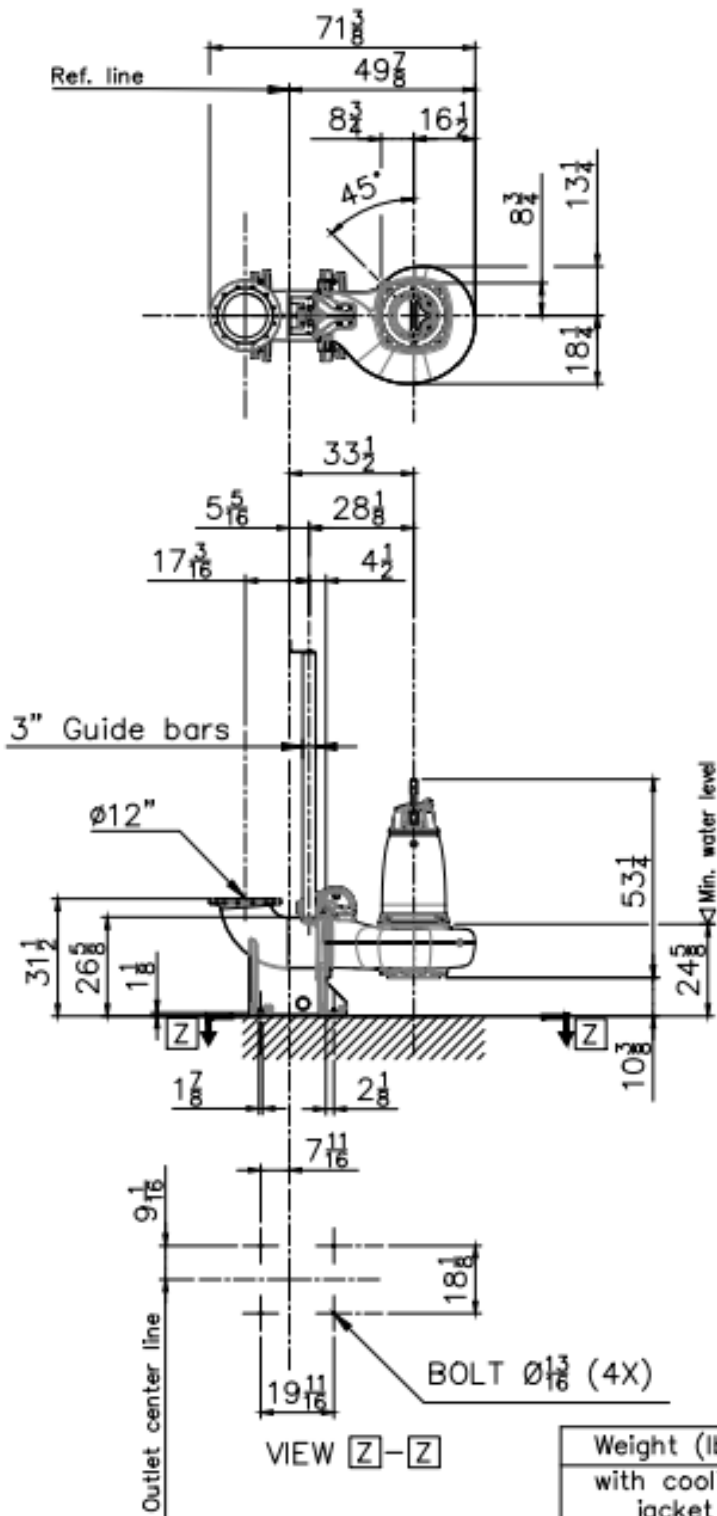
The whole pond is lined, but the work of this project is taking place in the pump station and not the actual pond. The entire floor of the pump station where the work will occur is concrete.

List of Attachments:

Attachment 1 – Dimensional Drawings of Owner Supplied Pumps

END OF ADDENDUM NO. 2

**ADDENDUM 2
ATTACHMENT 1**



Weight (lbs)	Pump	Discharge
with cooling jacket	1745	645
without cooling jacket	1635	645

	NP	3202	LT	Discharge ∅12" Pump ∅12" Pump ∅12" Discharge ∅12" Discharge ∅12"	Scale	Date
	090,095,180,185,660,670				1:40	210312
					Drawing number	Revision
					6841500	7